

FIG. 1

FIG. 1A | FIG. 1B

FIG. 1A

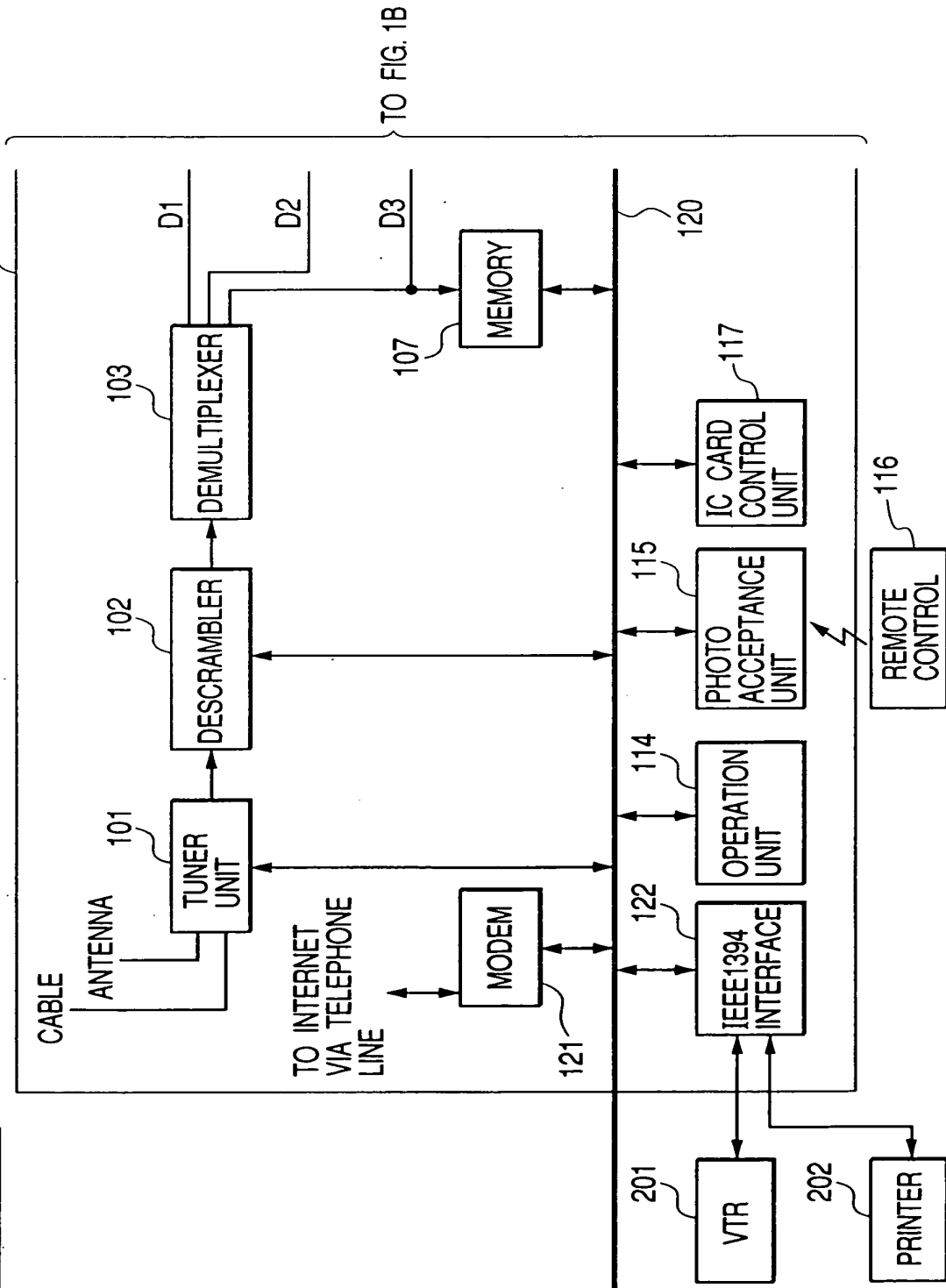
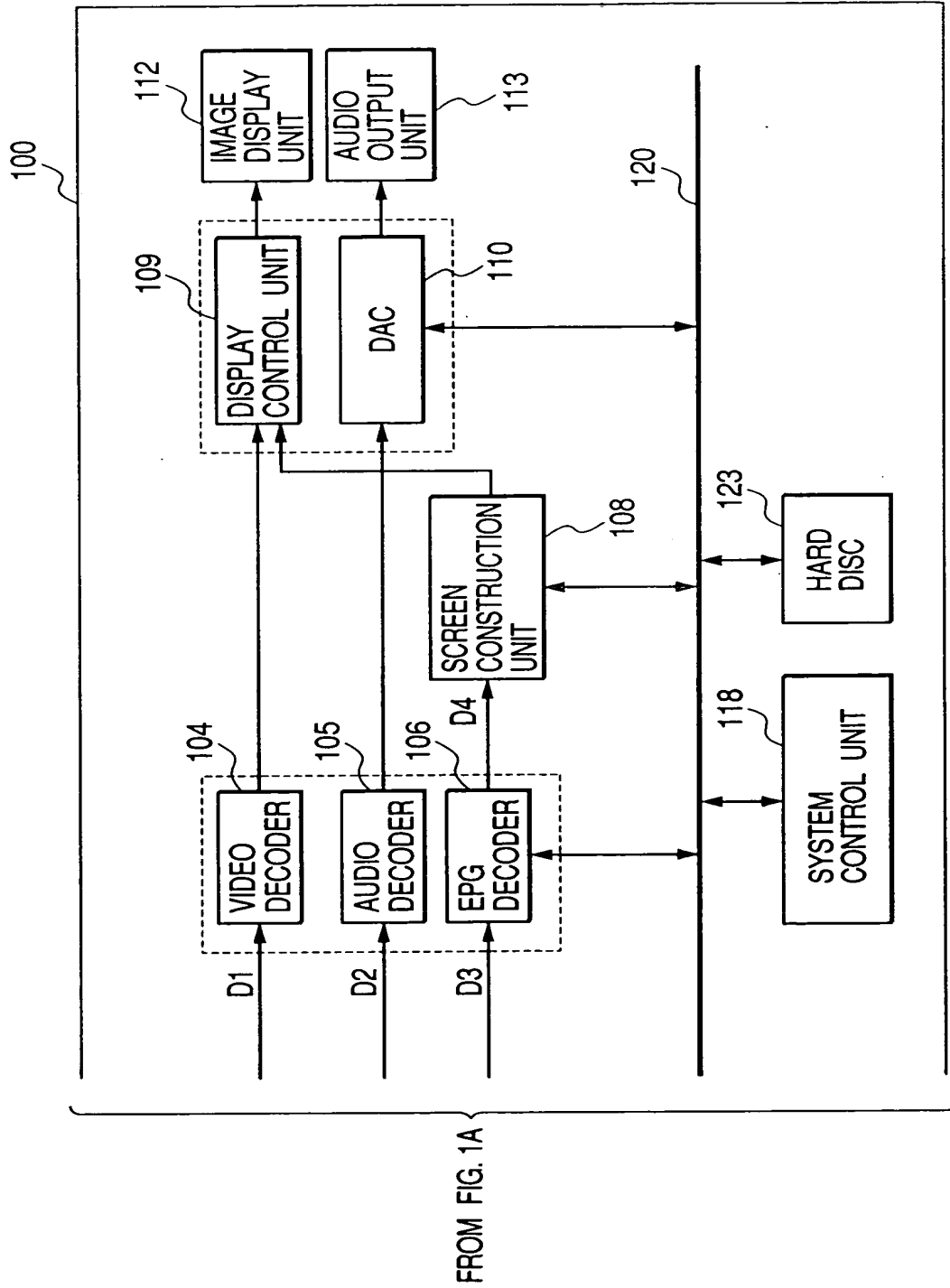


FIG. 1B



FROM FIG. 1A

05060" 2245960

FIG. 2

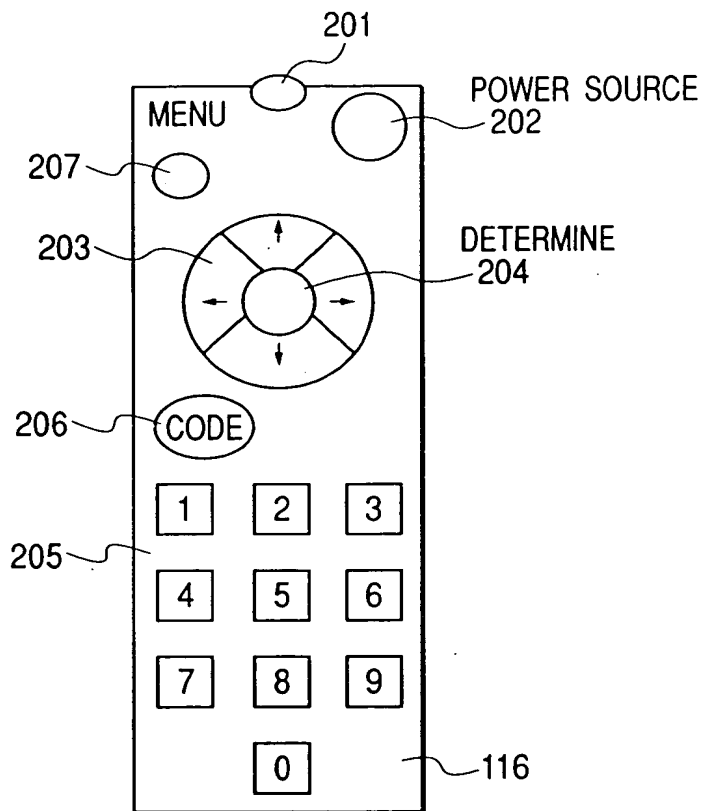


FIG. 3

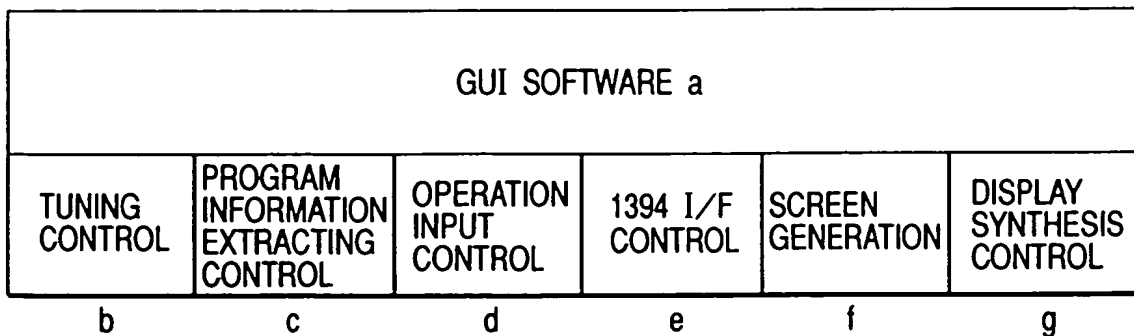
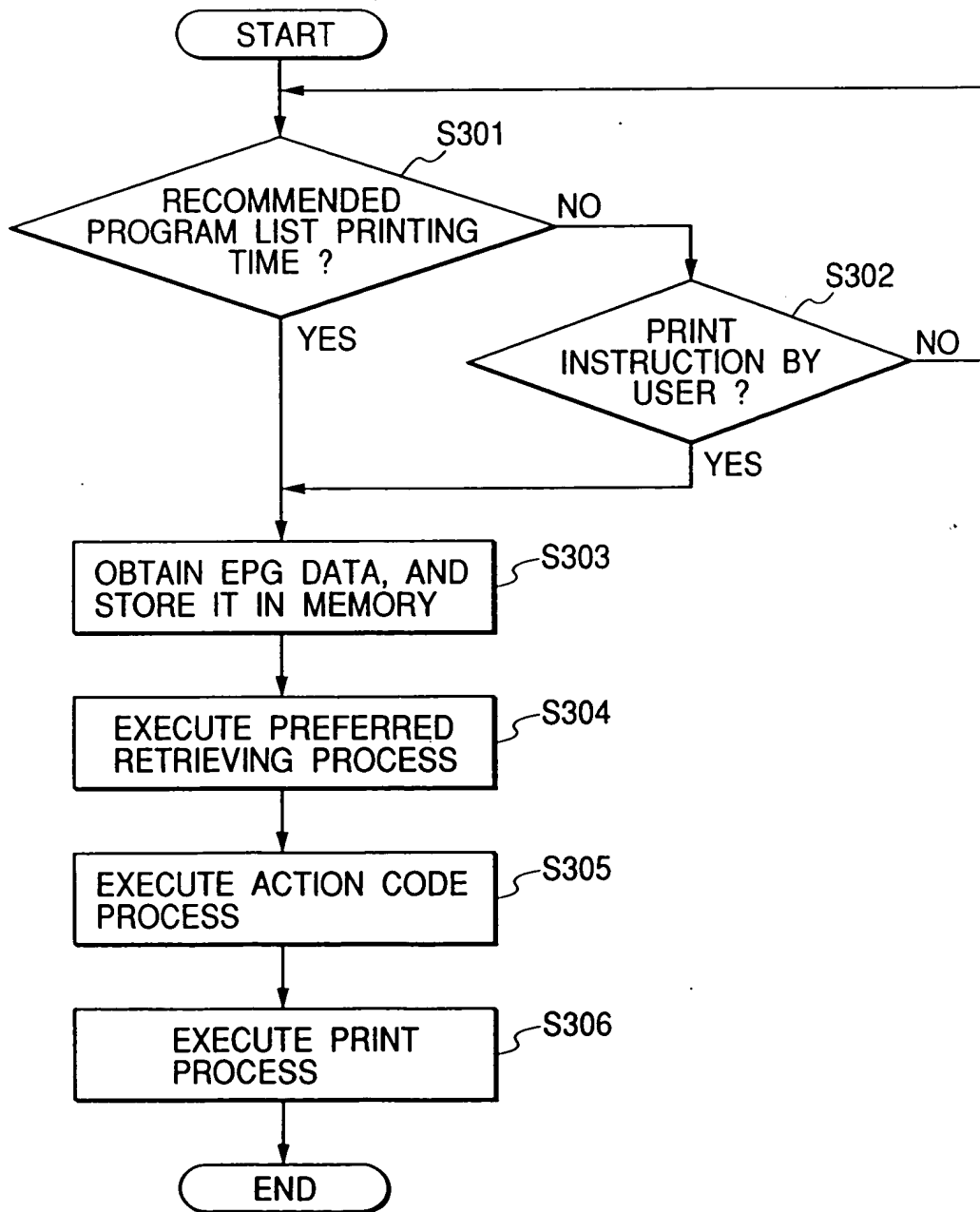


FIG. 4



005010" 2245360

FIG. 5

RESERVED/RECORDED PROGRAM TABLE (256 ENTRIES)

PROGRAM NAME	TIME OF DAY	CH	PROGRAM DETAIL	CAST ETC.	SCORE	MEDIA	STATUS
EEE	xxxxxx	BS14	xxxxxx	xxxxxx	xxxxxx	VTR	RESERVED
GGG	xxxxxx	BS22	xxxxxx	xxxxxx	xxxxxx	VTR	RESERVED
:							

FIG. 6

PREFERRED PROGRAM TABLE (15 ENTRIES)

PROGRAM NAME	TIME OF DAY	CH	PROGRAM DETAIL	CAST ETC.	SCORE
AAA	xxxxxx	CS121	xxxxxx	xxxxxx	xxxxxx
BBB	xxxxxx	CS130	xxxxxx	xxxxxx	xxxxxx
CCC	xxxxxx	BS44	xxxxxx	xxxxxx	xxxxxx
:					
EEE	xxxxxx	BS14	xxxxxx	xxxxxx	xxxxxx
FFF	xxxxxx	CS19	xxxxxx	xxxxxx	xxxxxx
GGG	xxxxxx	BS22	xxxxxx	xxxxxx	xxxxxx

FIG. 7

PICTURE RECORDING PREFERRED PROGRAM TABLE (5 ENTRIES)

PROGRAM NAME	TIME OF DAY	CH	PROGRAM DETAIL	CAST ETC.	SCORE
EEE	xxxxxx	BS14	xxxxxx	xxxxxx	xxxxxx
GGG	xxxxxx	BS22	xxxxxx	xxxxxx	xxxxxx

005060" 245360

FIG. 8

JUNE 25, 1998 (TH)

RECOMMENDED PROGRAM (ACTION : PICTURE RECORDING RESERVATION)

PROGRAM NAME : HHH BROADCASTING DATE AND HOUR : xxx-xxx CH : CS008 CAST ETC. : xxx, xxx CONTENT : xxxxxxxx xxxxxxx	PROGRAM NAME : III BROADCASTING DATE AND HOUR : xxx-xxx CH : CS232 CAST ETC. : xxx, xxx CONTENT : xxxxxxxx xxxxxxx	PROGRAM NAME : JJJ BROADCASTING DATE AND HOUR : xxx-xxx CH : BS43 CAST ETC. : xxx, xxx CONTENT : xxxxxxxx xxxxxxx	PROGRAM NAME : KKK BROADCASTING DATE AND HOUR : xxx-xxx CH : CS008 CAST ETC. : xxx, xxx CONTENT : xxxxxxxx xxxxxxx	PROGRAM NAME : PG11 BROADCASTING DATE AND HOUR : xxx-xxx CH : CS008 CAST ETC. : xxx, xxx CONTENT : xxxxxxxx xxxxxxx
CODE : 015	CODE : 016	CODE : 017	CODE : 018	CODE : 019
PROGRAM NAME : PG12 BROADCASTING DATE AND HOUR : xxx-xxx CH : CS008 CAST ETC. : xxx, xxx CONTENT : xxxxxxxx xxxxxxx	PROGRAM NAME : PG13 BROADCASTING DATE AND HOUR : xxx-xxx CH : CS008 CAST ETC. : xxx, xxx CONTENT : xxxxxxxx xxxxxxx	PROGRAM NAME : PG14 BROADCASTING DATE AND HOUR : xxx-xxx CH : CS008 CAST ETC. : xxx, xxx CONTENT : xxxxxxxx xxxxxxx	PROGRAM NAME : PG15 BROADCASTING DATE AND HOUR : xxx-xxx CH : CS008 CAST ETC. : xxx, xxx CONTENT : xxxxxxxx xxxxxxx	PROGRAM NAME : PG16 BROADCASTING DATE AND HOUR : xxx-xxx CH : CS008 CAST ETC. : xxx, xxx CONTENT : xxxxxxxx xxxxxxx
CODE : 020	CODE : 021	CODE : 022	CODE : 023	CODE : 024
PROGRAM NAME : PG17 BROADCASTING DATE AND HOUR : xxx-xxx CH : CS008 CAST ETC. : xxx, xxx CONTENT : xxxxxxxx xxxxxxx	PROGRAM NAME : PG18 BROADCASTING DATE AND HOUR : xxx-xxx CH : CS008 CAST ETC. : xxx, xxx CONTENT : xxxxxxxx xxxxxxx	PROGRAM NAME : PG19 BROADCASTING DATE AND HOUR : xxx-xxx CH : CS008 CAST ETC. : xxx, xxx CONTENT : xxxxxxxx xxxxxxx	PROGRAM NAME : PG20 BROADCASTING DATE AND HOUR : xxx-xxx CH : CS008 CAST ETC. : xxx, xxx CONTENT : xxxxxxxx xxxxxxx	PROGRAM NAME : PG21 BROADCASTING DATE AND HOUR : xxx-xxx CH : CS008 CAST ETC. : xxx, xxx CONTENT : xxxxxxxx xxxxxxx
CODE : 025	CODE : 026	CODE : 027	CODE : 028	CODE : 029

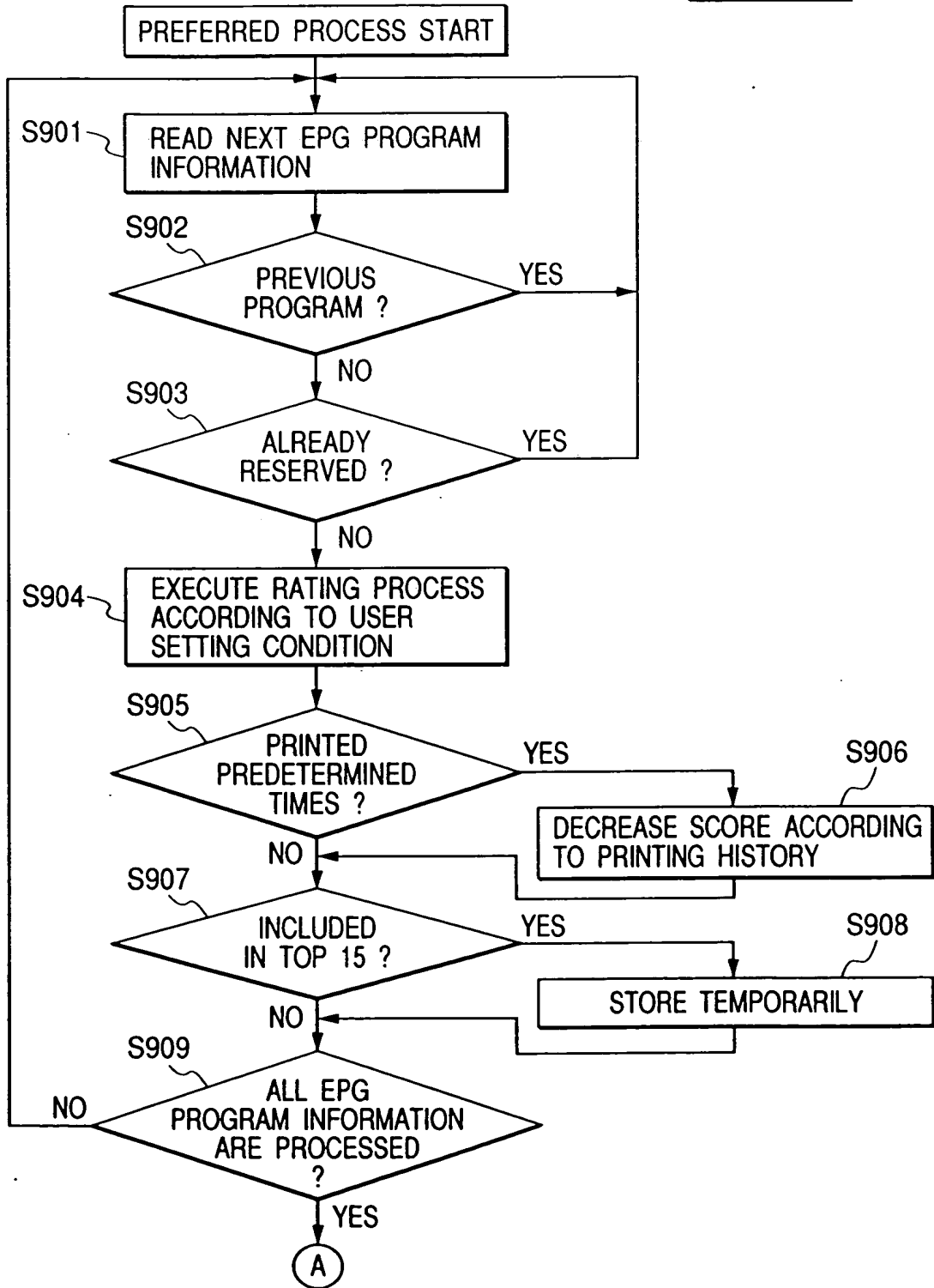
RECORDED PROGRAM (ACTION : REPRODUCTION)

PROGRAM NAME : PG1 BROADCASTING DATE AND HOUR : xxx-xxx CH : BS14 CAST ETC. : xxx, xxx CONTENT : xxxxxxxx xxxxxxx	PROGRAM NAME : PG2 BROADCASTING DATE AND HOUR : xxx-xxx CH : BS22 CAST ETC. : xxx, xxx CONTENT : xxxxxxxx xxxxxxx	PROGRAM NAME : EEE BROADCASTING DATE AND HOUR : xxx-xxx CH : BS14 CAST ETC. : xxx, xxx CONTENT : xxxxxxxx xxxxxxx	PROGRAM NAME : GGG BROADCASTING DATE AND HOUR : xxx-xxx CH : BS22 CAST ETC. : xxx, xxx CONTENT : xxxxxxxx xxxxxxx	PROGRAM NAME : QQQ BROADCASTING DATE AND HOUR : xxx-xxx CH : BS23 CAST ETC. : xxx, xxx CONTENT : xxxxxxxx xxxxxxx
CODE : 030	CODE : 031	CODE : 032	CODE : 033	CODE : 034

FIG. 10

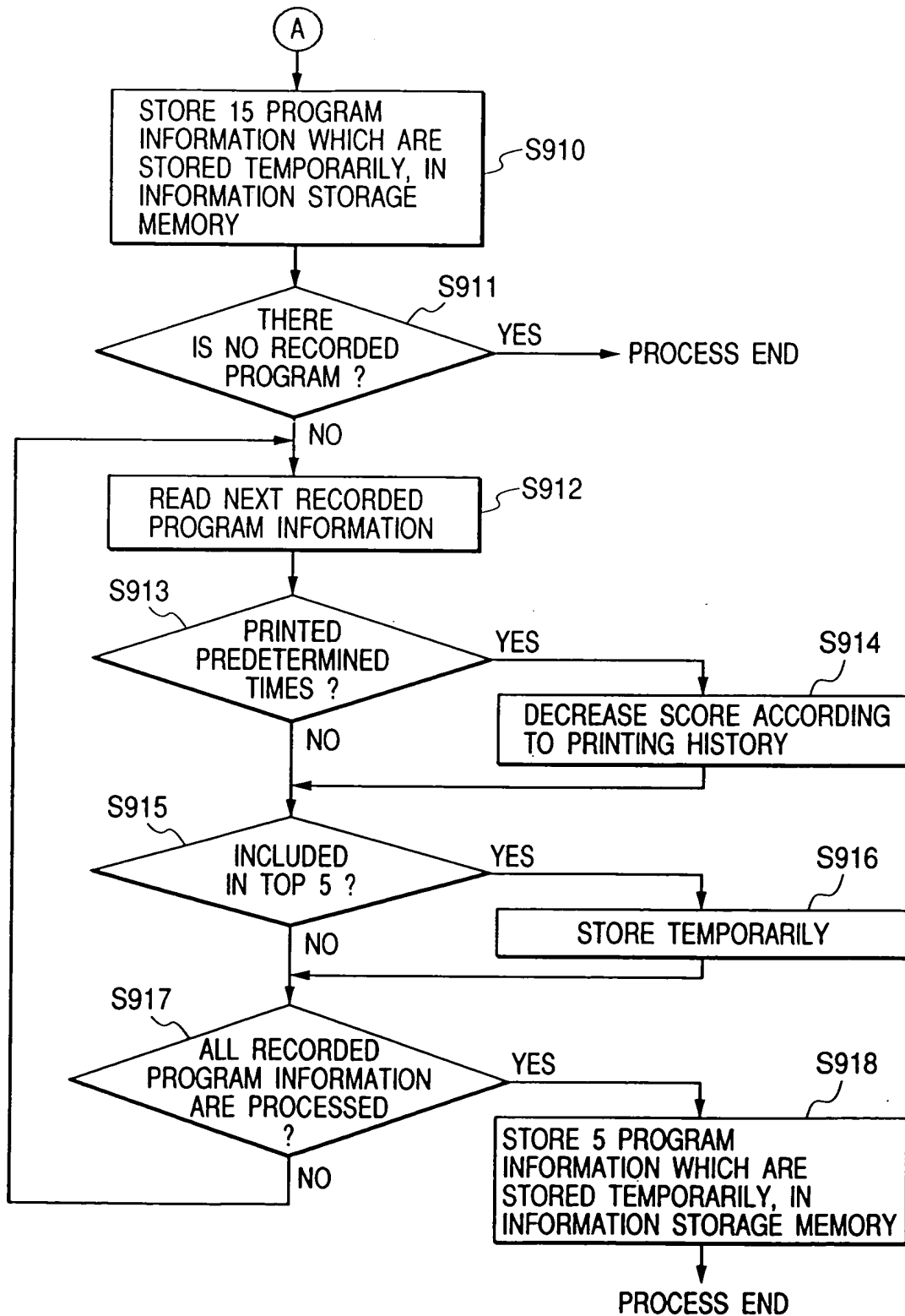
FIG. 10A
FIG. 10B

FIG. 10A



005010 224560

FIG. 10B



005060" 22245960

FIG. 11

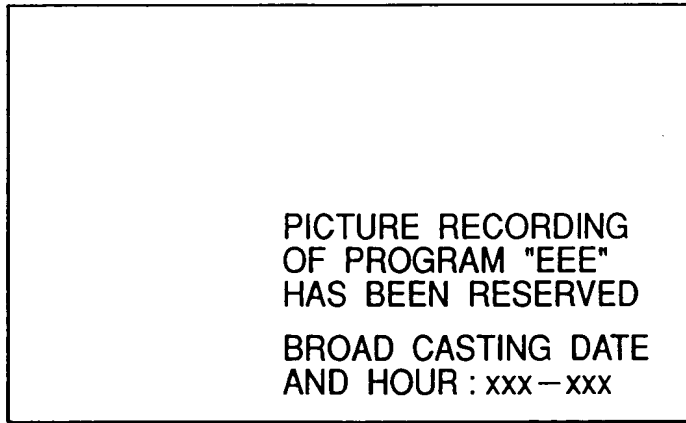
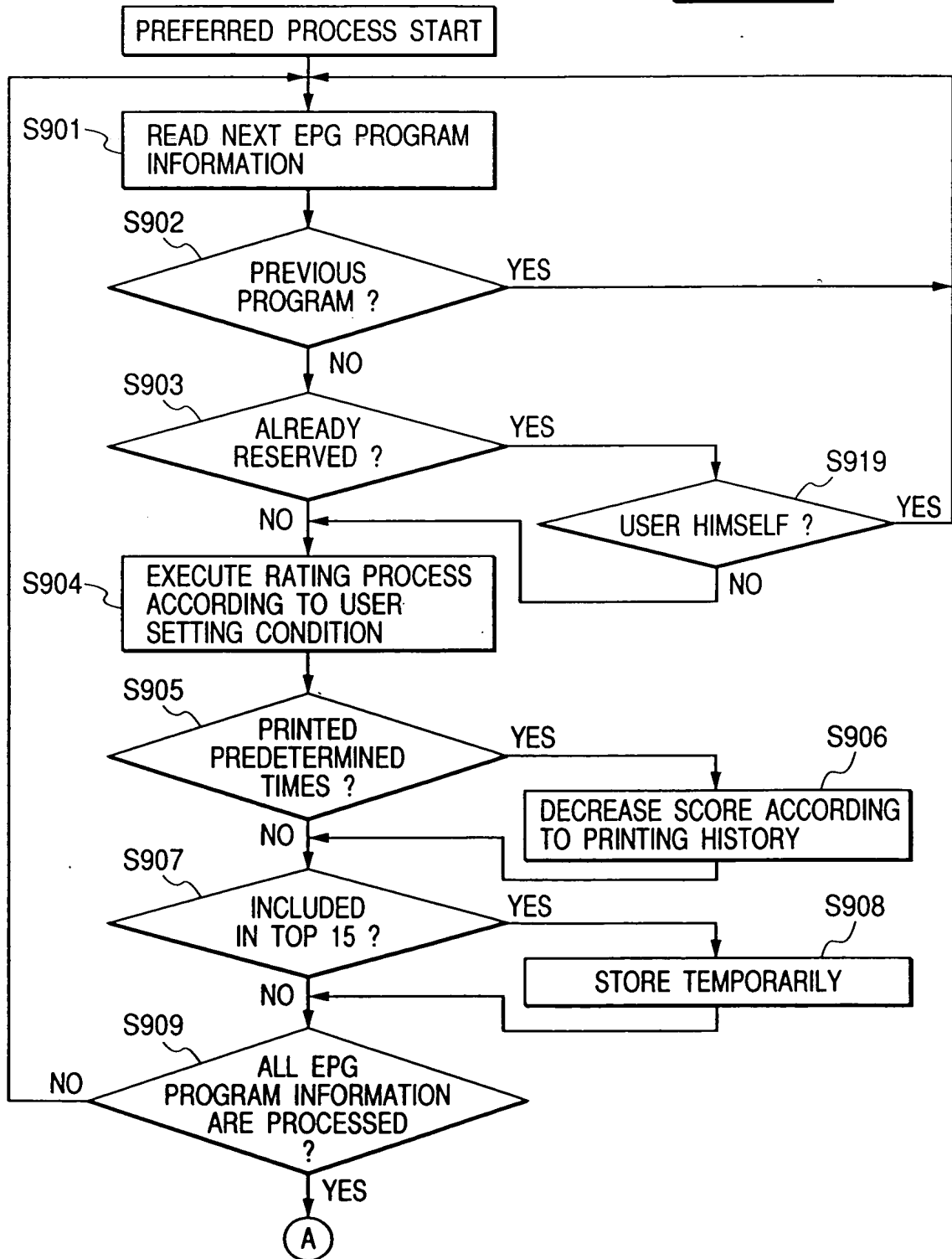


FIG. 12

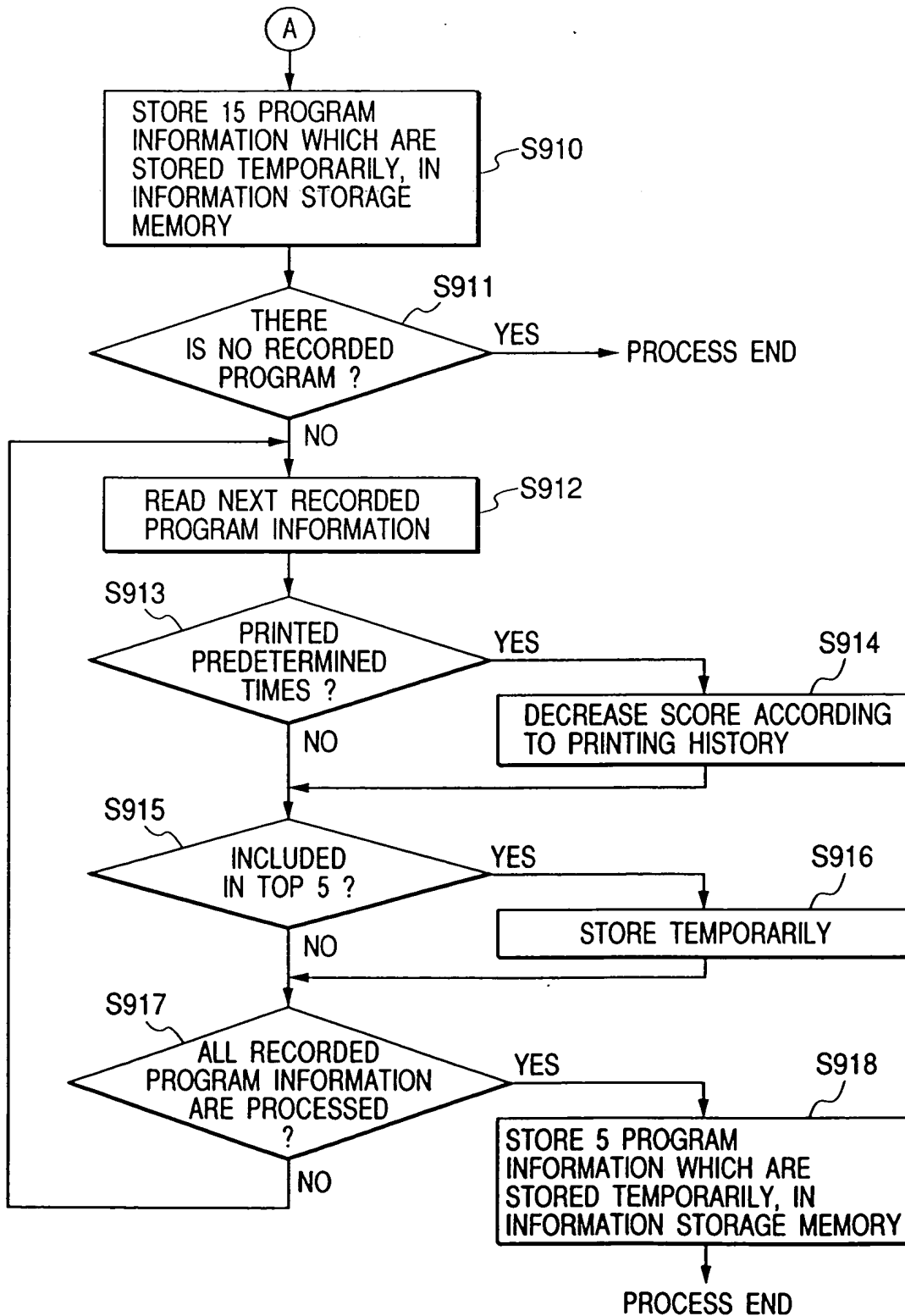
FIG. 12A
FIG. 12B

FIG. 12A



005060" 2245960

FIG. 12B



005060" 245960

FIG. 13

JUNE 25, 1998 (TH)

FOR USER 1

RECOMMENDED PROGRAM (ACTION : PICTURE RECORDING RESERVATION)

PROGRAM NAME : HHH BROADCASTING DATE AND HOUR : xxx-xxx-xxxx CH : CS008 CAST ETC. : xxx, xxx CONTENT : xxxxxxxx xxxxxxx CODE : 015	PROGRAM NAME : III BROADCASTING DATE AND HOUR : xxx-xxx-xxxx CH : CS232 CAST ETC. : xxx, xxx CONTENT : xxxxxxxx xxxxxxx CODE : 016	PROGRAM NAME : JJJ BROADCASTING DATE AND HOUR : xxx-xxx-xxxx CH : BS43 CAST ETC. : xxx, xxx CONTENT : xxxxxxxx xxxxxxx CODE : 017	PROGRAM NAME : KKK BROADCASTING DATE AND HOUR : xxx-xxx-xxxx CH : CS008 CAST ETC. : xxx, xxx CONTENT : xxxxxxxx xxxxxxx CODE : 018	PROGRAM NAME : PG11 BROADCASTING DATE AND HOUR : xxx-xxx-xxxx CH : CS008 CAST ETC. : xxx, xxx CONTENT : xxxxxxxx xxxxxxx CODE : 019
PROGRAM NAME : PG12 BROADCASTING DATE AND HOUR : xxx-xxx-xxxx CH : CS008 CAST ETC. : xxx, xxx CONTENT : xxxxxxxx xxxxxxx CODE : 020	PROGRAM NAME : PG13 BROADCASTING DATE AND HOUR : xxx-xxx-xxxx CH : CS008 CAST ETC. : xxx, xxx CONTENT : xxxxxxxx xxxxxxx CODE : 021	PROGRAM NAME : PG14 BROADCASTING DATE AND HOUR : xxx-xxx-xxxx CH : CS008 CAST ETC. : xxx, xxx CONTENT : xxxxxxxx xxxxxxx CODE : 022	PROGRAM NAME : PG15 BROADCASTING DATE AND HOUR : xxx-xxx-xxxx CH : CS008 CAST ETC. : xxx, xxx CONTENT : xxxxxxxx xxxxxxx CODE : 023	PROGRAM NAME : PG16 BROADCASTING DATE AND HOUR : xxx-xxx-xxxx CH : CS008 CAST ETC. : xxx, xxx CONTENT : xxxxxxxx xxxxxxx CODE : 024
PROGRAM NAME : PG17 BROADCASTING DATE AND HOUR : xxx-xxx-xxxx CH : CS008 CAST ETC. : xxx, xxx CONTENT : xxxxxxxx xxxxxxx CODE : 025	PROGRAM NAME : PG18 BROADCASTING DATE AND HOUR : xxx-xxx-xxxx CH : CS008 CAST ETC. : xxx, xxx CONTENT : xxxxxxxx xxxxxxx CODE : 026	PROGRAM NAME : PG19 BROADCASTING DATE AND HOUR : xxx-xxx-xxxx CH : CS008 CAST ETC. : xxx, xxx CONTENT : xxxxxxxx xxxxxxx CODE : 027	PROGRAM NAME : PG20 BROADCASTING DATE AND HOUR : xxx-xxx-xxxx CH : CS008 CAST ETC. : xxx, xxx CONTENT : xxxxxxxx xxxxxxx CODE : 028	PROGRAM NAME : PG21 BROADCASTING DATE AND HOUR : xxx-xxx-xxxx CH : CS008 CAST ETC. : xxx, xxx CONTENT : xxxxxxxx xxxxxxx CODE : 029

RECORDED PROGRAM (ACTION : REPRODUCTION)

PROGRAM NAME : PG1 BROADCASTING DATE AND HOUR : xxx-xxx-xxxx CH : BS14 CAST ETC. : xxx, xxx CONTENT : xxxxxxxx xxxxxxx CODE : 030	PROGRAM NAME : PG2 BROADCASTING DATE AND HOUR : xxx-xxx-xxxx CH : BS22 CAST ETC. : xxx, xxx CONTENT : xxxxxxxx xxxxxxx CODE : 031	PROGRAM NAME : EEE BROADCASTING DATE AND HOUR : xxx-xxx-xxxx CH : BS14 CAST ETC. : xxx, xxx CONTENT : xxxxxxxx xxxxxxx CODE : 032	PROGRAM NAME : GGG BROADCASTING DATE AND HOUR : xxx-xxx-xxxx CH : BS23 CAST ETC. : xxx, xxx CONTENT : xxxxxxxx xxxxxxx CODE : 033	PROGRAM NAME : QQQ BROADCASTING DATE AND HOUR : xxx-xxx-xxxx CH : BS23 CAST ETC. : xxx, xxx CONTENT : xxxxxxxx xxxxxxx CODE : 034
---	---	---	---	---

PREFERRED PROGRAM TABLE (15 ENTRIES)

PROGRAM NAME	TIME OF DAY	CH	PROGRAM DETAIL	CAST ETC.	SCORE	USER
AAA	XXXXXX	CS121	XXXXXX	XXXXXX	XXXXXX	1
BBB	XXXXXX	CS130	XXXXXX	XXXXXX	XXXXXX	1
CCC	XXXXXX	BS44	XXXXXX	XXXXXX	XXXXXX	1
EEE	XXXXXX	BS14	XXXXXX	XXXXXX	XXXXXX	1
FFF	XXXXXX	CS19	XXXXXX	XXXXXX	XXXXXX	1
GGG	XXXXXX	BS22	XXXXXX	XXXXXX	XXXXXX	1

FIG. 14A

PICTURE RECORDING PREFERRED PROGRAM TABLE (5 ENTRIES)

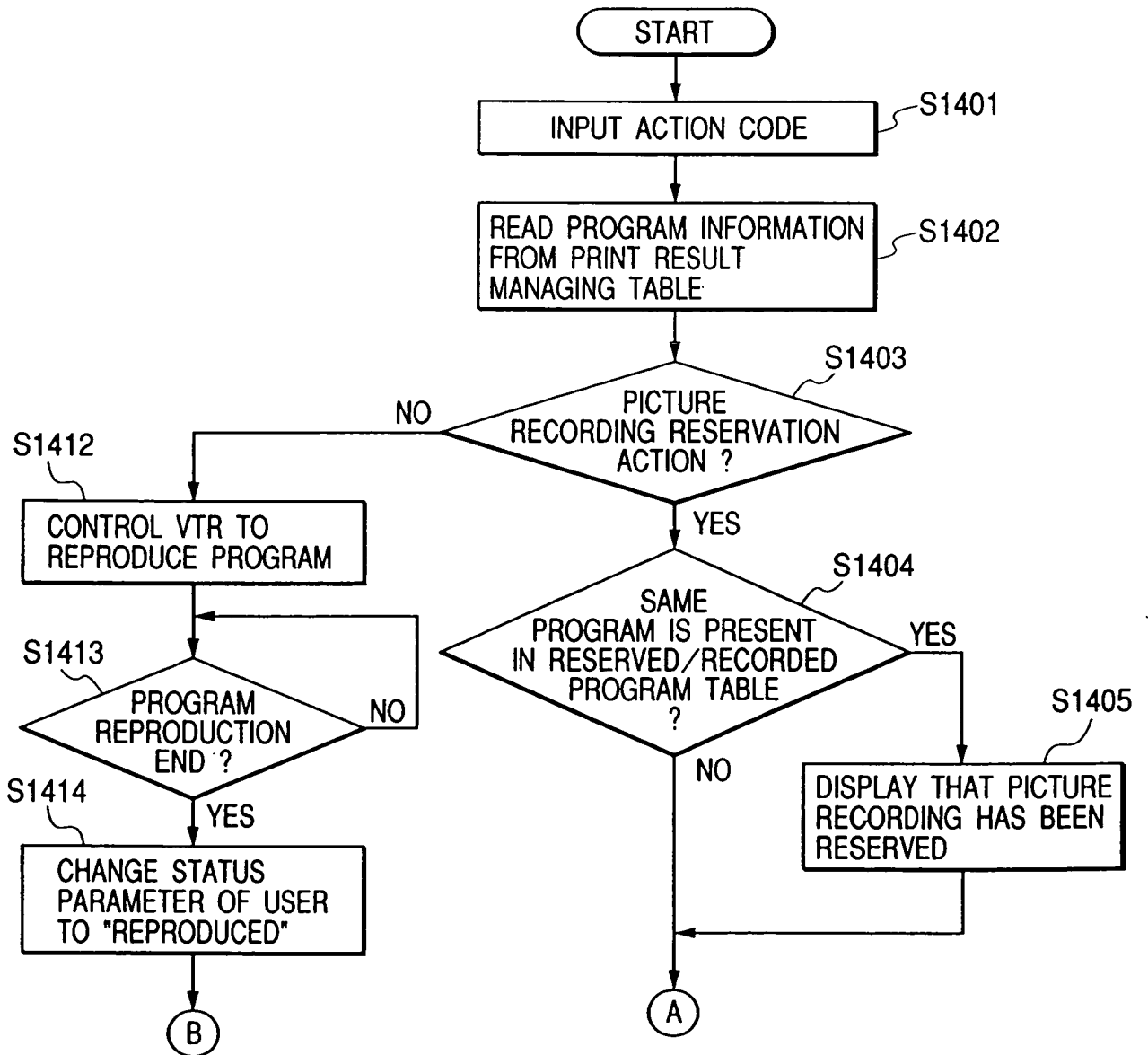
PROGRAM NAME	TIME OF DAY	CH	PROGRAM DETAIL	CAST ETC.	SCORE	USER
EEE	XXXXXX	BS14	XXXXXX	XXXXXX	XXXXXX	1
GGG	XXXXXX	BS22	XXXXXX	XXXXXX	XXXXXX	1

FIG. 14B

FIG. 15

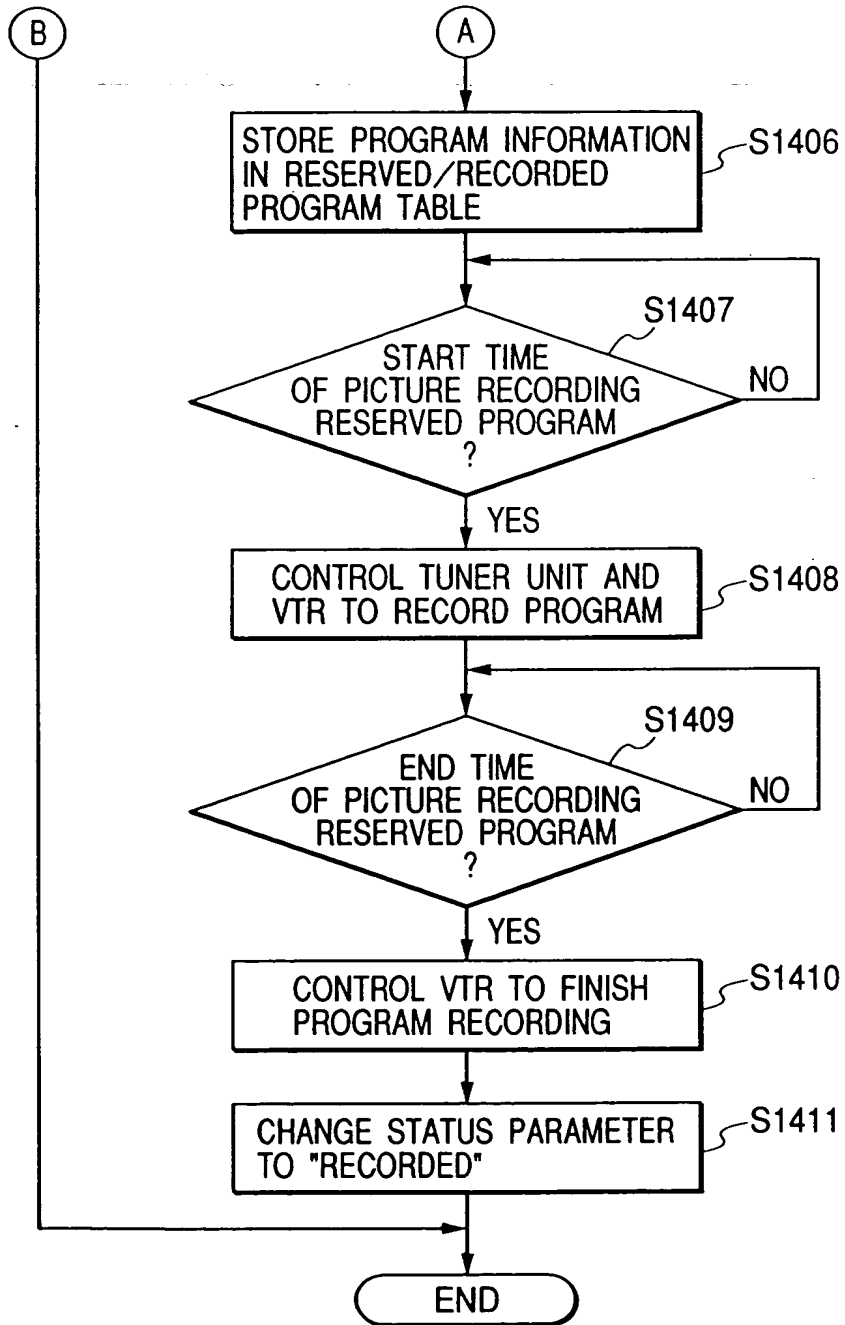
FIG. 15A
FIG. 15B

FIG. 15A



005060" 2245360

FIG. 15B



015010" 2245960

005060" 2245960

FIG. 16

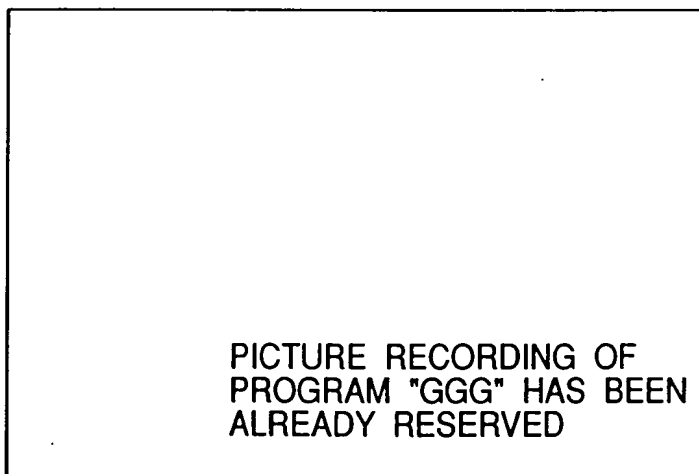


FIG. 17A

· PLEASE MOVE CURSOR TO RECOMMENDED PROGRAM LIST YOU WANT TO SET, AND DEPRESS "DETERMINE" BUTTON

GENERAL INDEX
 GENRE
 CAST
 CHANNEL
 TIME

EVERY DAY 6:00
 · SHOW-BIZZY NEWS
 · DRAMA * FAVORITE 50
 · FOREIGN MOVIE * FAVORITE 100
 EVERY DAY 17:00
 · VARIETY * TALENT 00
 · SPORTS * GENERAL
 · NEWS * ECONOMY

FIG. 17B

· PLEASE SET DATE AND TIME TO PRINT GENERAL INDEX PROGRAM LIST

EVERY DAY 6 HOUR 00 MINUTE
- HOUR - MINUTE

 EVERY WEEK SUN DAY 21 HOUR 00 MINUTE
- DAY - HOUR - MINUTE

FIG. 17C

1703

PLEASE SELECT YOUR FAVORITE(S) TO PREPARE GENERAL INDEX ▼
PROGRAM LIST TO REGISTER

NEWS	<input type="checkbox"/> GENERAL	<input type="checkbox"/> POLITICS	<input type="checkbox"/> ECONOMY	<input type="checkbox"/> SOCIETY	
	<input type="checkbox"/> SHOW-BIZZY	<input type="checkbox"/> SPORTS	<input type="checkbox"/> HOME	<input type="checkbox"/> CORPORATION	DETAIL
DRAMA	<input type="checkbox"/> GENERAL	<input type="checkbox"/> CONTINUOUS	<input type="checkbox"/> SINGLE	<input type="checkbox"/> SUSPENSE	
	<input type="checkbox"/> SUMURAI DRAMAS	<input type="checkbox"/> TRENDY	<input type="checkbox"/> COME	<input type="checkbox"/> LOVE-ROMANCE	DETAIL
FOREIGN MOVIE	<input type="checkbox"/> GENERAL	<input type="checkbox"/> FOREIGN MOVIE	<input type="checkbox"/> JAPANESE MOVIE	<input type="checkbox"/> ACTION	
▼	<input type="checkbox"/> LOVE-ROMANCE	<input type="checkbox"/> SF	<input type="checkbox"/> SUMURAI DRAMAS	<input type="checkbox"/> COMEDY	DETAIL

1708

1709

SELECTED FAVORITE(S) IS SET IN EVERY DAY 6:00 ▼ PROGRAM LIST 1702

1710
RESET

1707
BACK

1706
DETERMINE

FIG. 18A

JUNE 29, 1998 (SN) 21:00
THIS WEEK RECOMMENDED PROGRAM (GENERAL INDEX)

DRAMA ○○○○ ----- ----- PICTURE RECORDING RESERVATION : 012 VIEW RESERVATION : 013	FOREIGN MOVIE ×××× ----- ----- ----- 014 ----- 015	DRAMA △△△△ ----- ----- -----	SPORTS ○××× ----- ----- -----	DRAMA ××△△ ----- ----- -----

FIG. 18B

JUNE 29, 1998 (SN) 21:00
THIS WEEK RECOMMENDED PROGRAM (DRAMA)

DRAMA ○○○○ ----- ----- PICTURE RECORDING RESERVATION : 012 VIEW RESERVATION : 013	DRAMA △△△△ ----- ----- -----	DRAMA ××△△ ----- ----- -----	DRAMA ×○○× ----- ----- -----	

005060" 2245960